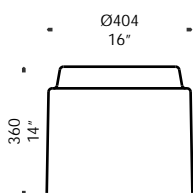
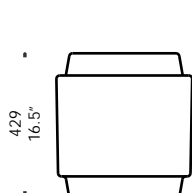




Tingle Stool



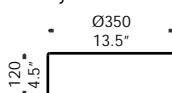
Tingle Stool with Top



Hard Top



Soft Cushion & Polyurethane Insert



tingle stool

Like a fizzing lolly, the fruity flavours of the Tingle will be sure to tickle your taste buds. The fun mix and match colours of the interior/exterior low seating and table series offers great flexibility to complement any office, home or café.

The fruity range is solid but light and made to withstand mother natures various moods. Best of all, the small footprint and stacking ability means storage is no problem. So go ahead, mix and match and discover your favourite fruity flavours.

key benefits

- _ Designed and made in Australia
- _ Made from 100% recyclable LDPE
- _ Optional soft cushion insert, PANTONE polyurethane insert or LDPE hard top
- _ UV Resistant LDPE
- _ GECA Environmental Rating
- _ Long life

LDPE Tingle Stool Colour	Optional Top		
	LDPE Hard Top	Polyurethane**	Soft Cushion
● Aniseed	● Aniseed	● Gold	Any fabric finish.
● Charcoal	● Charcoal	● Camel	
● Deep Sea	● Deep Sea	● Brown	0.5m fabric per cushion.
● Fairy Floss	● Fairy Floss	● Black	
● Grass	● Grass	● Anthracite	
● Latte	● Latte	● Dark Grey	
● Lemon	● Lemon	● Mid Grey	
● Lime Fizz*	● Lime Fizz*	● White	
● Olive	● Olive	● Silver	
● Peppermint*	● Peppermint*	● Dark Green	
● People Eater	● People Eater	● Mid Green	
● Sky	● Sky	● Light Green	
● Snow	● Snow	● Dark Blue	
● Strawberry	● Strawberry	● Light Blue	
● Tang	● Tang	● Purple	
		● Pink	
		● Red	
		● Orange	
		● Yellow	
		● Beige	

* Not available in USA
 ** Polyurethane colours may not be exact match to LDPE tingle stool colours.



tingle stool

757 Porwalk Place
 Redwood City CA 94065
 P +1 (650) 678 3980
 F +1 (866) 910 9531
 usa@luxxbox.com

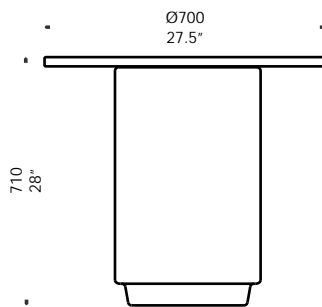
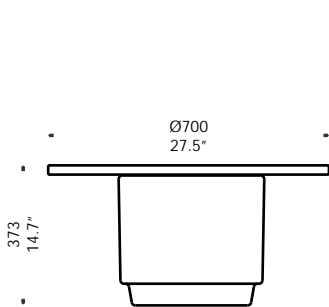
1/66 McLachlan Street
 Fortitude Valley Q 4006
 P +61 7 3257 2822
 F +61 7 3257 2844
 info@luxxbox.com
 www.luxxbox.com





Tingle Table - single

Tingle Table - double



tingle table

Like a fizzing lolly, the fruity flavours of the Tingle will be sure to tickle your taste buds. The fun mix and match colours of the interior/exterior low seating and table series offers great flexibility to complement any office, home or café.

The fruity range is solid but light and made to withstand mother natures various moods. Best of all, the small footprint and stacking ability means storage is no problem. So go ahead , mix and match and discover your favourite fruity flavours.

key benefits

- _ Base made from 100% recyclable LDPE
- _ Table top made from compact laminate
- _ UV Resistant
- _ GECA Environmental Rating
- _ Long life

LDPE Base Colour		Compact Laminate Table Top Colour
● Aniseed	● Olive	● Black
● Charcoal	● Peppermint*	● White
● Deep Sea	● People Eater	
● Fairy Floss	● Sky	
● Grass	● Snow	
● Latte	● Strawberry	
● Lemon	● Tang	
● Lime Fizz*		

* Not available in USA



tingle table

757 Porwalk Place
 Redwood City CA 94065
 P +1 (650) 678 3980
 F +1 (866) 910 9531
 usa@luxxbox.com

1/66 McLachlan Street
 Fortitude Valley Q 4006
 P +61 7 3257 2822
 F +61 7 3257 2844
 info@luxxbox.com
 www.luxxbox.com

